

- Kantenschutzrahmen L50x50 umlaufend mit Pratten 40x6x150; -kundenseitig.  
Edge protecting frame L50x50 on all sides anchorage 40x6x150; byers work.
- Elektrische Versorgung 3x400V/N/PE ; 50Hz ; 5x2,5qmm ; 3x25A  
electric feed 3x230V/PE ; 50/60Hz ; 5x4qmm ; 3x35A
- max. Achslast 4t  
max. axle load

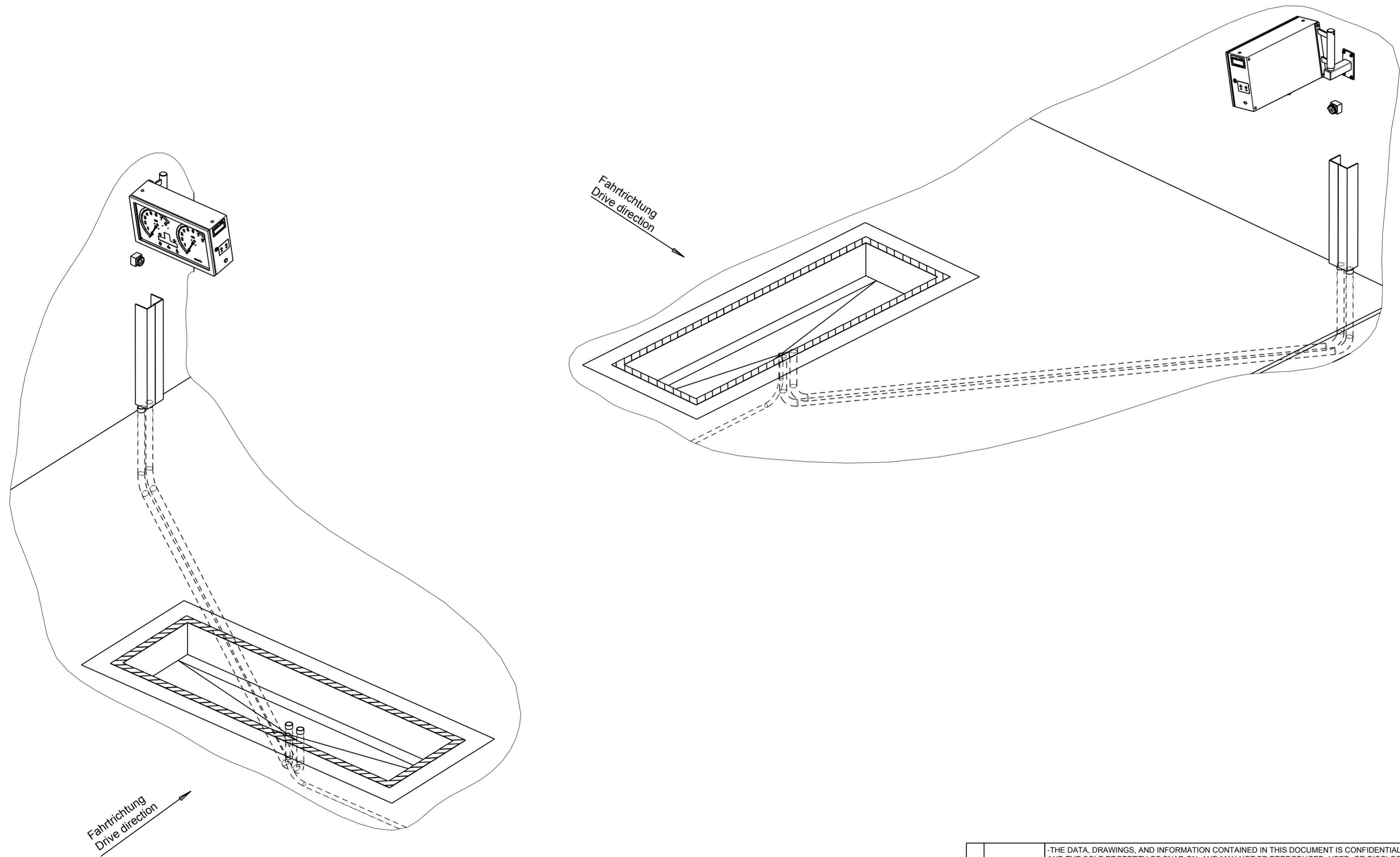
**BDE 204**  
**brekon 204**  
**BT 204**



\* \* "cm"

allowed deviations in "cm" with tolerance guide		-THE DATA, DRAWINGS, AND INFORMATION CONTAINED IN THIS DOCUMENT IS CONFIDENTIAL AND THE SOLE PROPERTY OF SNAP-ON, AND MAY NOT BE REPRODUCED, USED, OR DISCLOSED WITHOUT WRITTEN PERMISSION OF AN OFFICER OF SNAP-ON. SUBJECT TO TECHNICAL ALTERATION.		COPYRIGHT
up to 30	from 30 to 100	-UNLESS OTHERWISE SPECIFIED DIMENSIONS ARE IN MILLIMETERS		MATERIAL:
±0,2	±0,3	-GENERAL TOLERANCES: -LINEAR MEASURE ISO 2768-1 -ANGLE MEASURE ISO 2768-1 -POSITION / FORM ISO 2768-2 -CORNERS ISO 13715 -SURFACE ISO 1302		FINISH:
from 100 up to 500	from 500	B 17U0054		PROJ NO: SCALE:1:20
±0,4	±0,5	A 17U0044		DR: ChS 10.05.2017
REV/PCN HISTORY		FIRST ANGLE PROJECTION ISO 5456-2		CK:
		A2		APP: Strobl L. 10.05.2017
		PROJ		RELEASE
				QUALITY DOC: N/A
				SUPERCEDES: N/A
				REVISION: EAZ0109U43A
				SHEET 1 OF 2



Fundamentplan  
Foundation plan  
RL=700



		-THE DATA, DRAWINGS, AND INFORMATION CONTAINED IN THIS DOCUMENT IS CONFIDENTIAL AND THE SOLE PROPERTY OF SNAP-ON, AND MAY NOT BE REPRODUCED, USED, OR DISCLOSED WITHOUT WRITTEN PERMISSION OF AN OFFICER OF SNAP-ON. SUBJECT TO TECHNICAL ALTERATION.		COPYRIGHT
		-UNLESS OTHERWISE SPECIFIED DIMENSIONS ARE IN MILLIMETERS		 <b>EQUIPMENT</b>
		-GENERAL TOLERANCES: LINEAR MEASURE ISO 2768-1 ANGLE MEASURE ISO 2768-1 POSITION / FORM ISO 2768-2 -CORNERS ISO 13715 -SURFACE ISO 1302		
		MATERIAL:		Fundamentplan Foundation plan RL=700
		FINISH:		
		PROJ NO:	SCALE:1:20	
		DR:	ChS 10.05.2017	RELEASE
		CK:		
B	17U0054	 FIRST ANGLE PROJECTION ISO 5456-2	APP: Strobi L. 10.05.2017	REV.:
A	17U0044		QUALITY DOC: N/A	EAZ0109U43A
REV/PCN HISTORY		PROJ/E	SUPERCEDES: N/A	SHEET 2 OF 2